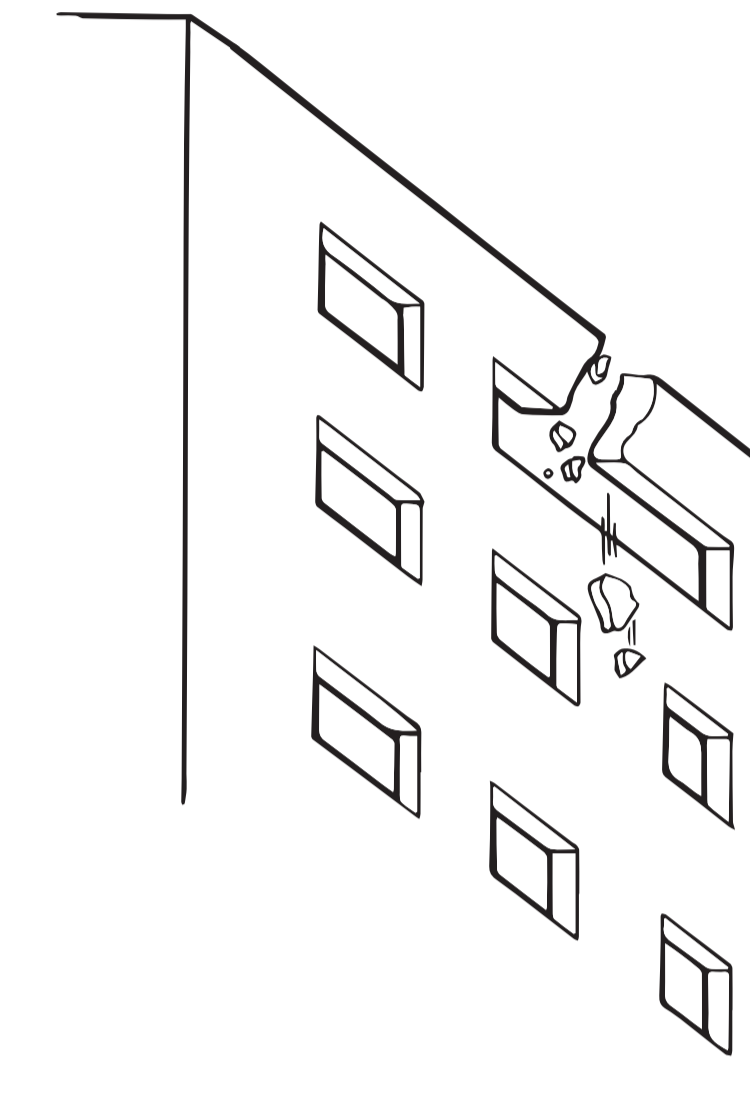
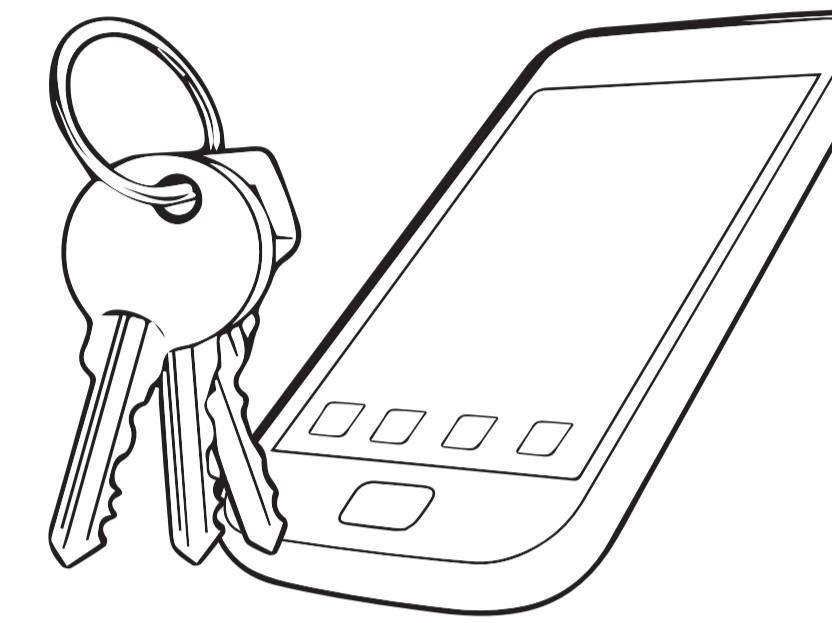
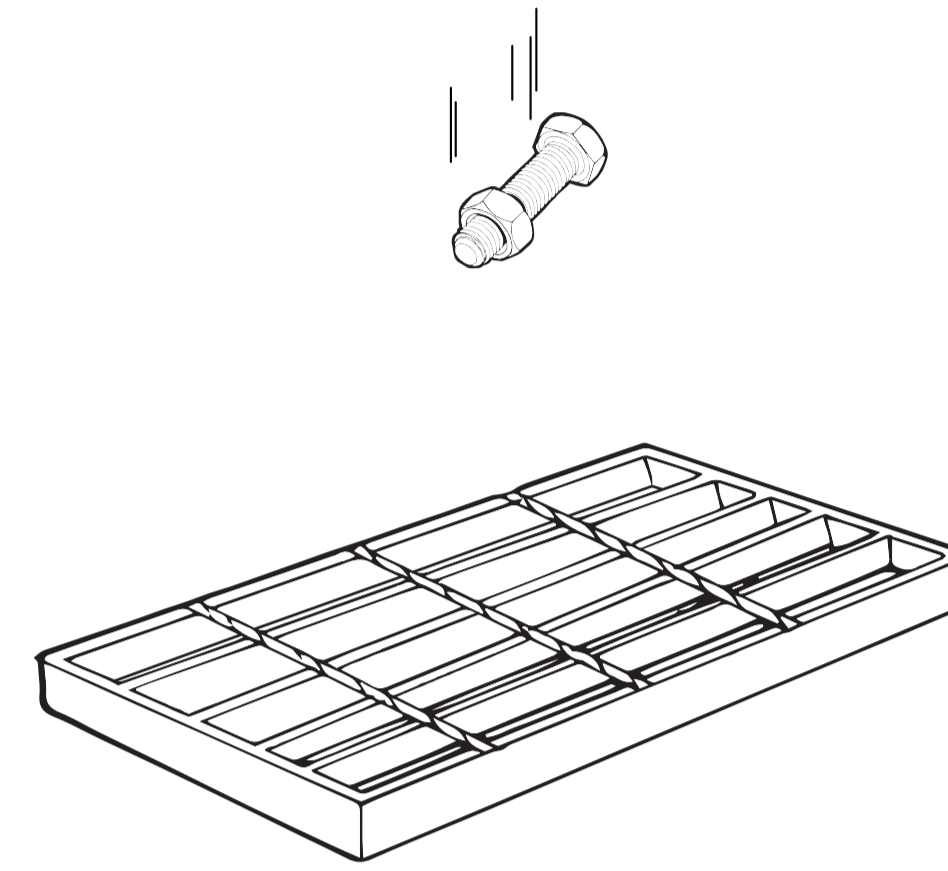
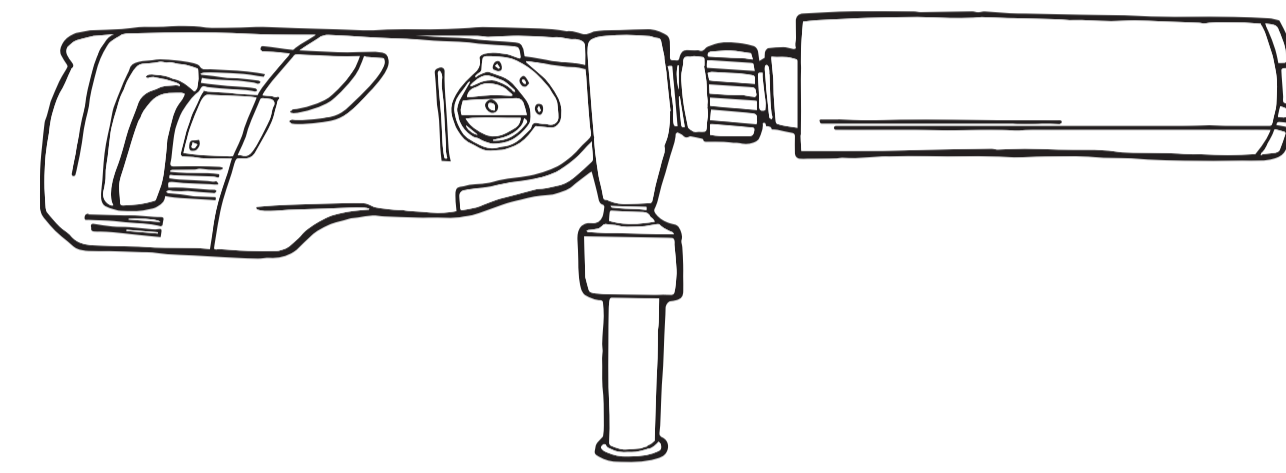
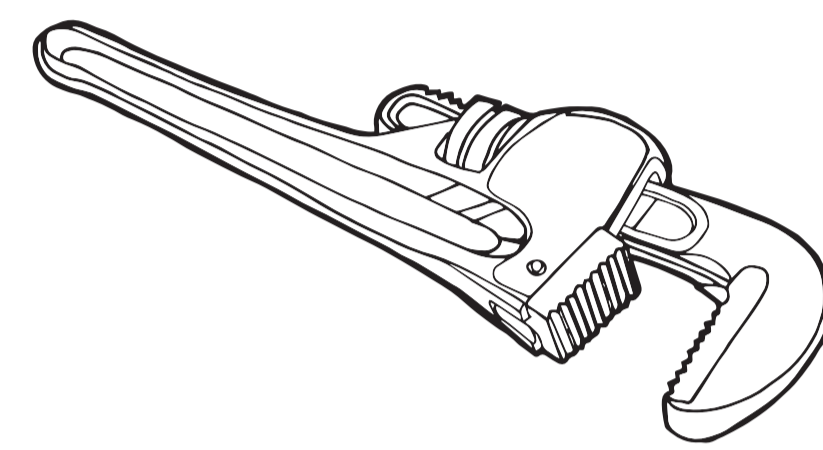


PREVENT DROPPED OBJECTS

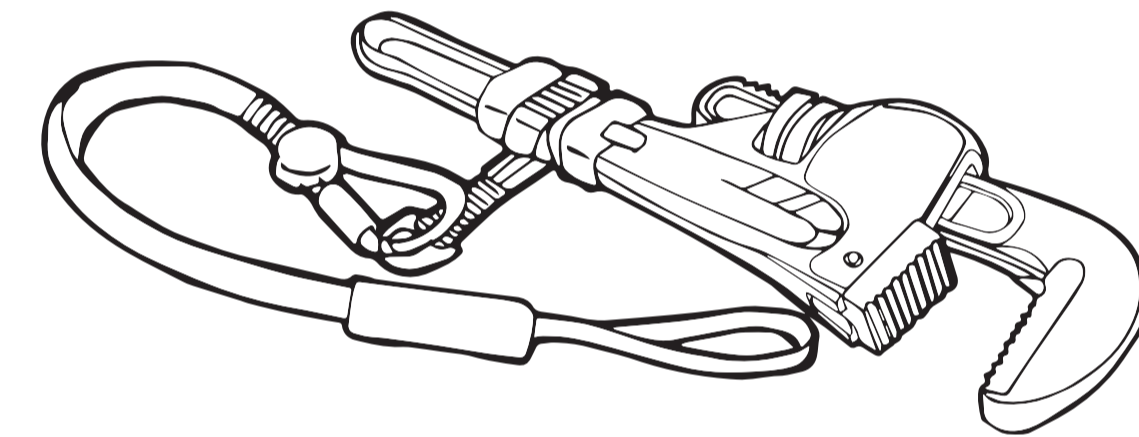
SOMEONE'S LIFE MAY DEPEND ON IT

IDENTIFY THE TOOLS OR OBJECTS THAT CAN BE DROPPED OR CAN FALL

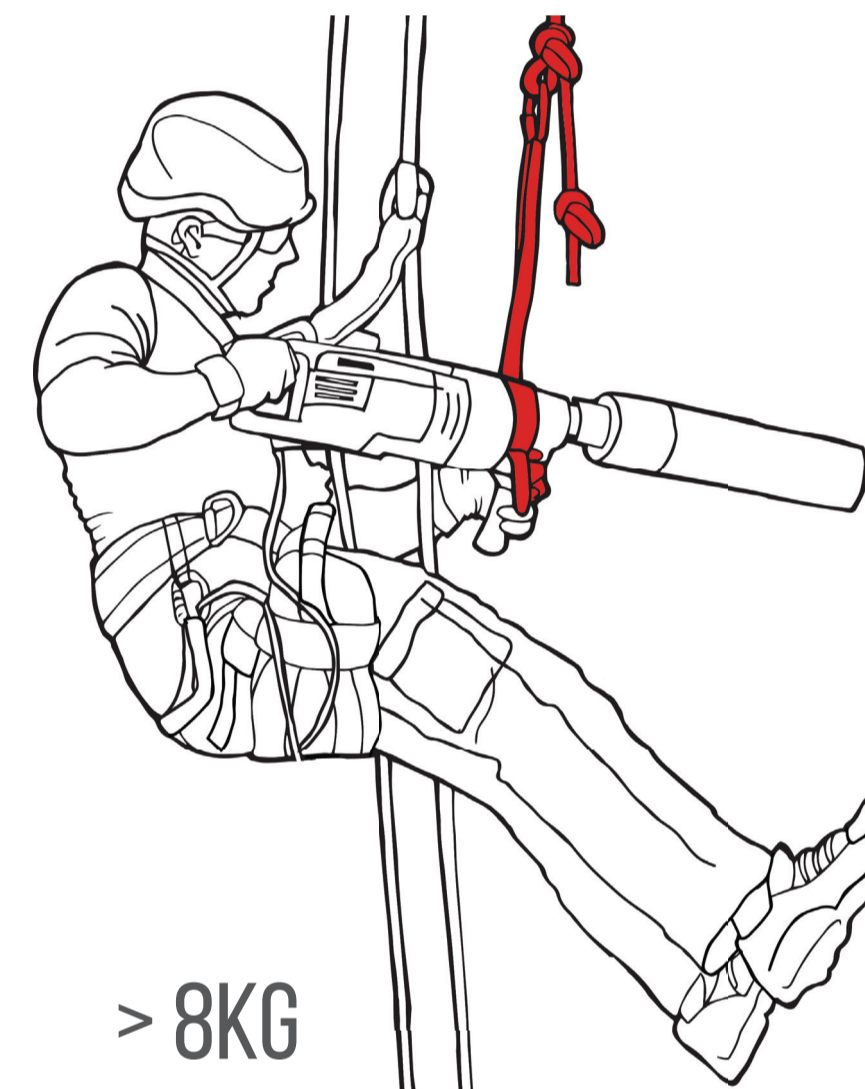
01. IDENTIFY & ELIMINATE (WHERE POSSIBLE)



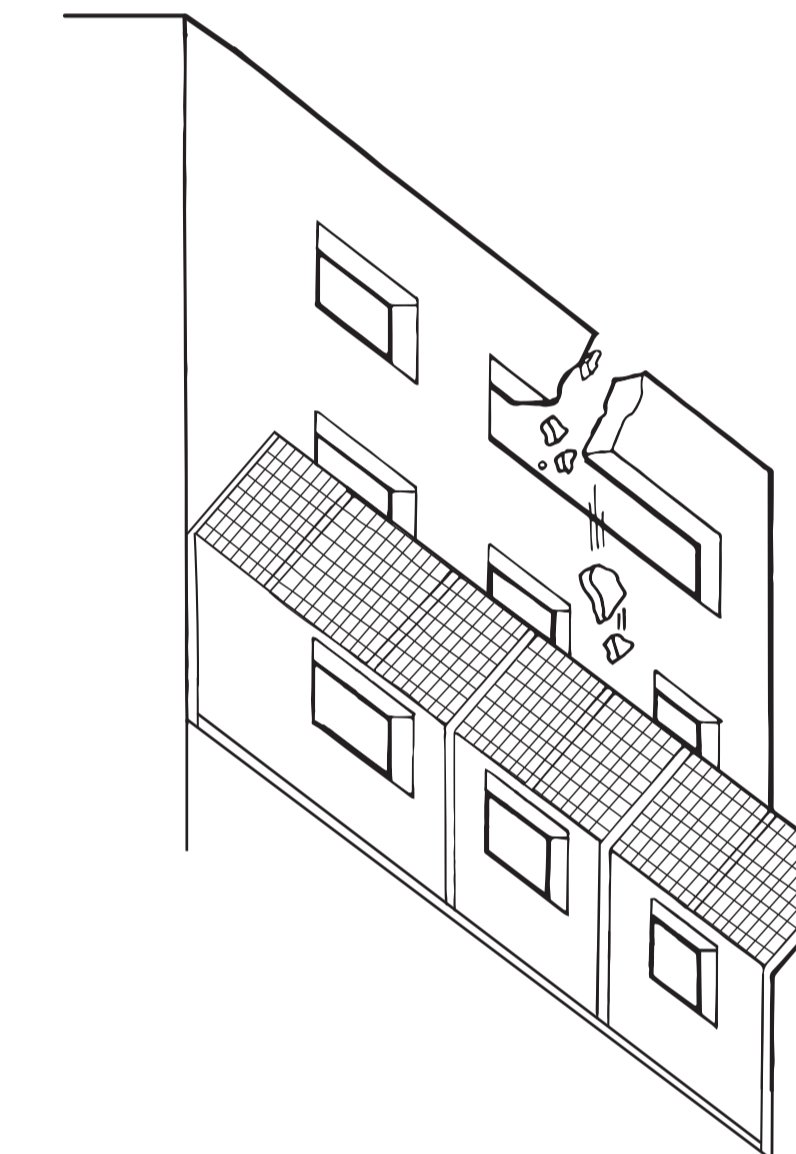
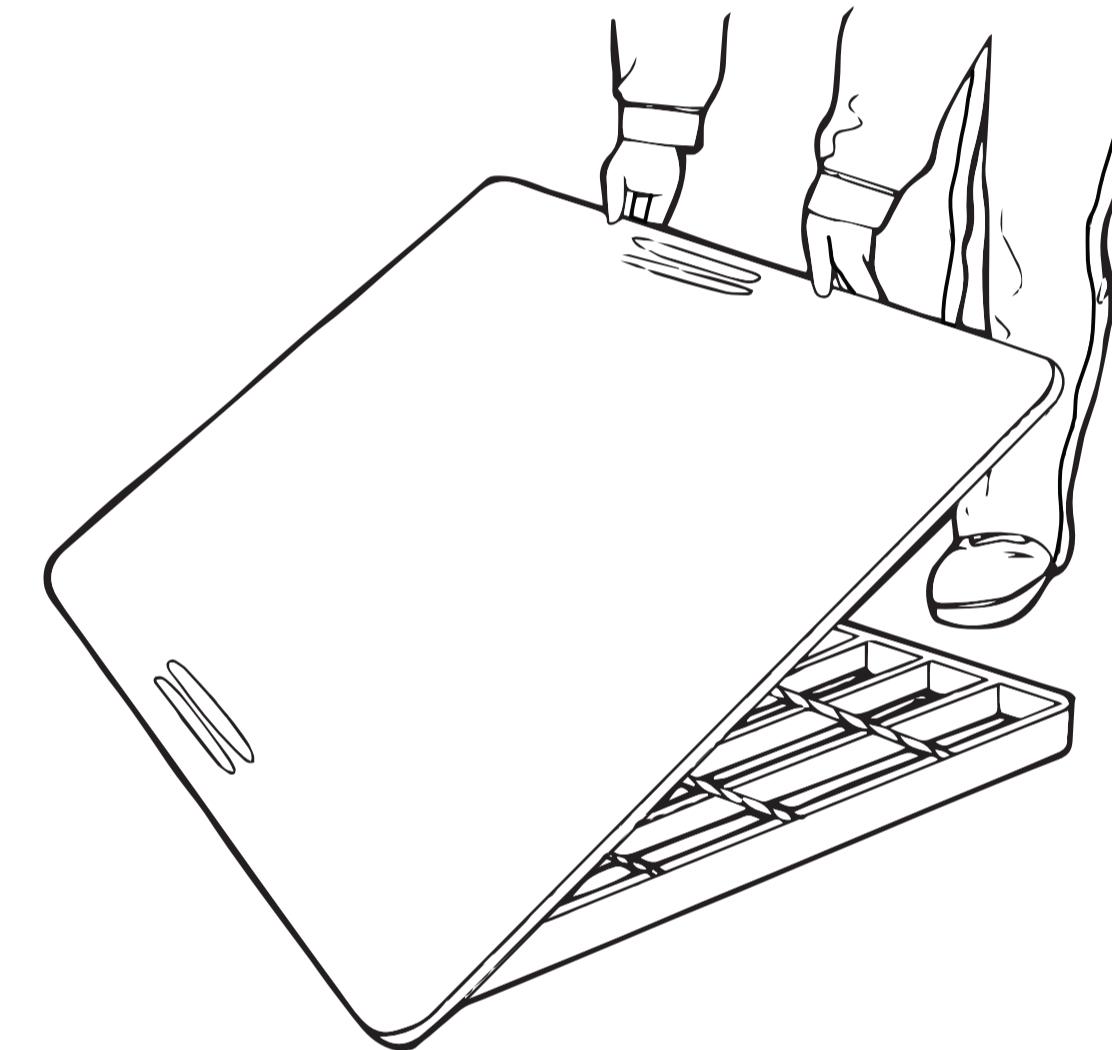
02. PRIMARY CONTROLS (ENGINEERED)



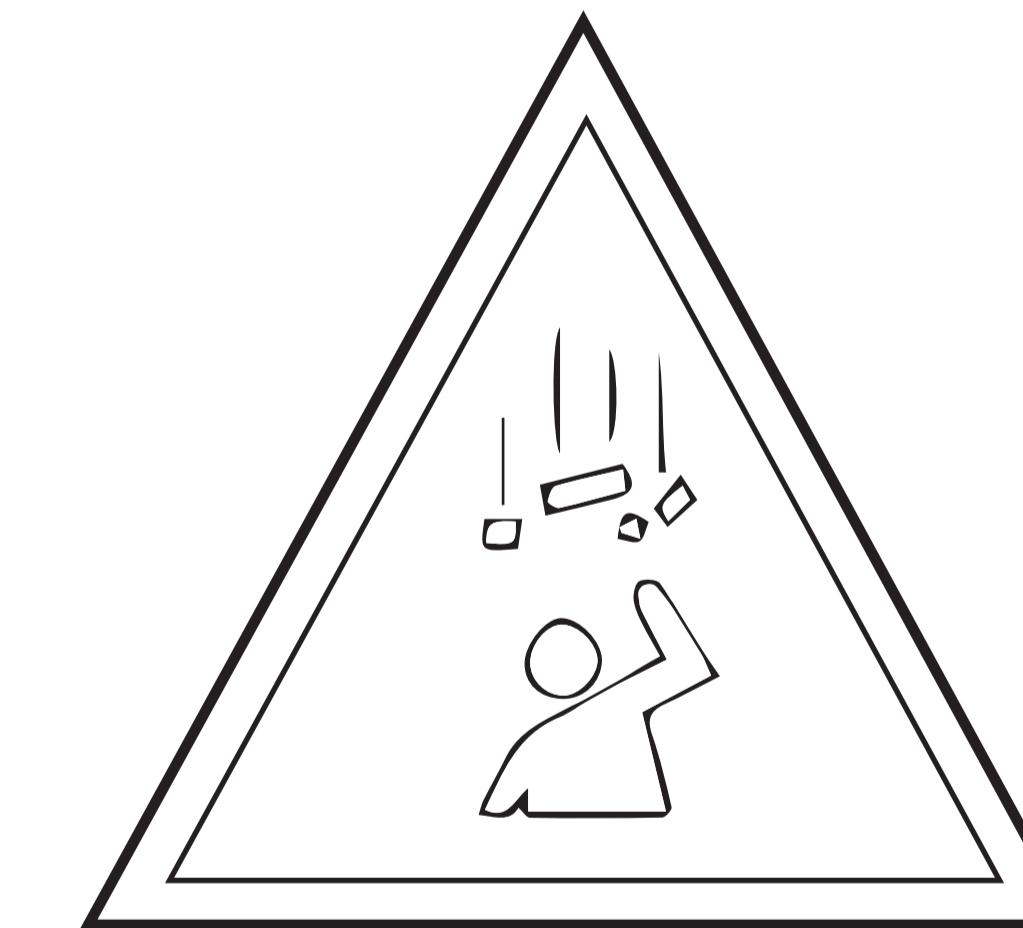
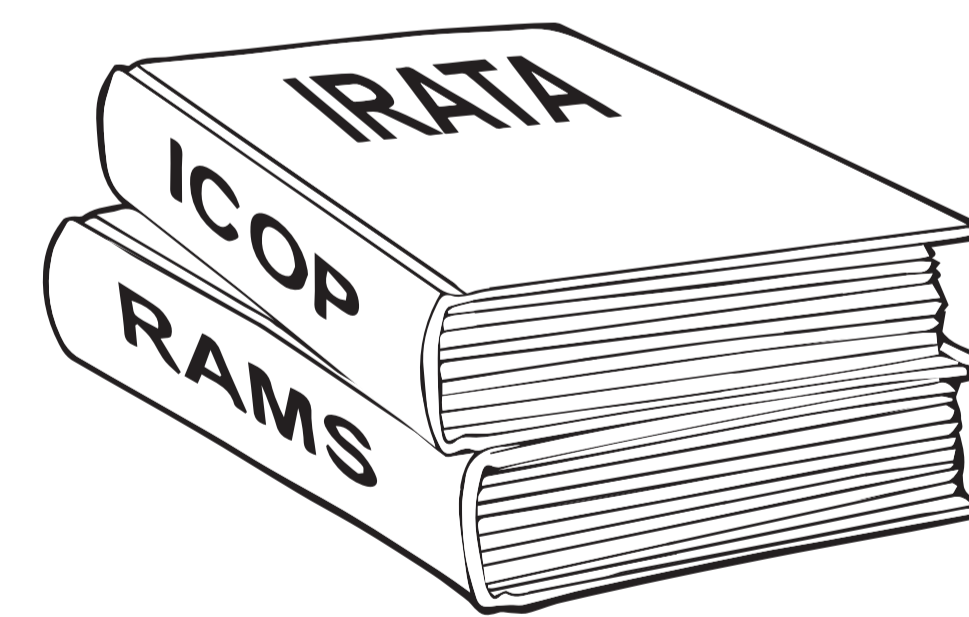
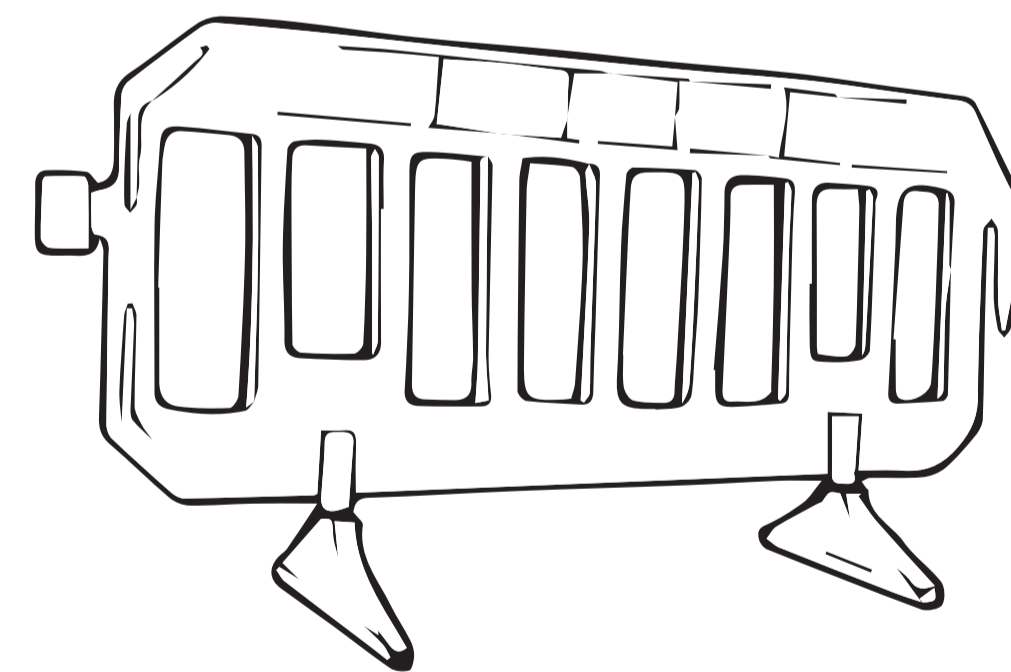
< 8KG



> 8KG



03. ADDITIONAL CONTROLS (ADMINISTRATIVE)



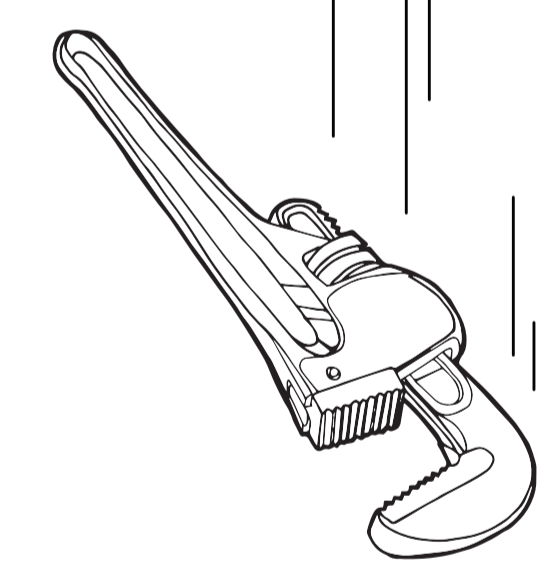
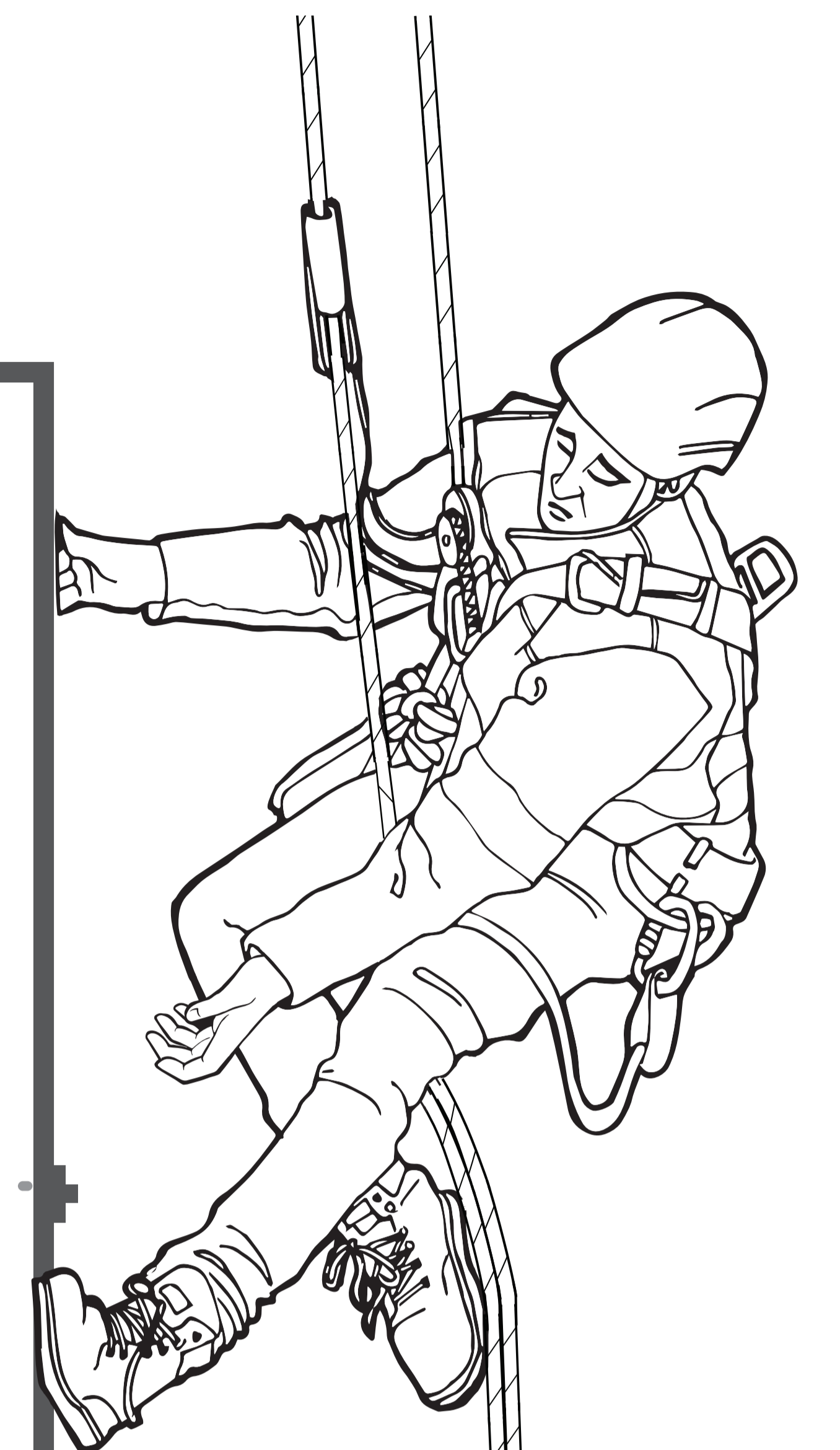
04. PERSONAL PROTECTIVE EQUIPMENT (PPE)



• CHECK IF THE LEVEL OF PROTECTION IS APPROPRIATE AND ROBUST. IF NOT, DO NOT PROCEED.

- FOR DETAILED INFORMATION SEE ICOP:
 - 1.4.2.6 AND 2.11.8, EXCLUSION ZONES
 - 2.2.3, PRE-WORK ANALYSIS
 - 2.2.4 AND ANNEX A, RISK ASSESSMENT

- 2.2.5 AND ANNEX B, SAFETY METHOD STATEMENTS
- ANNEX M, USE OF TOOLS AND OTHER WORK EQUIPMENT



HIERARCHY